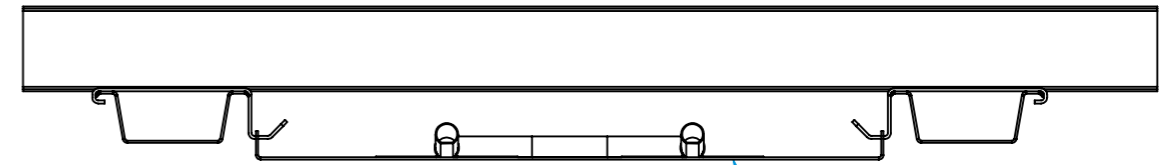
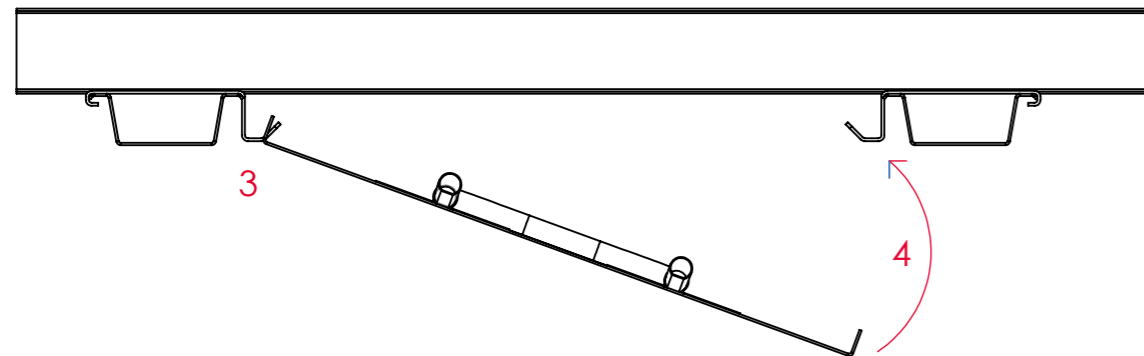
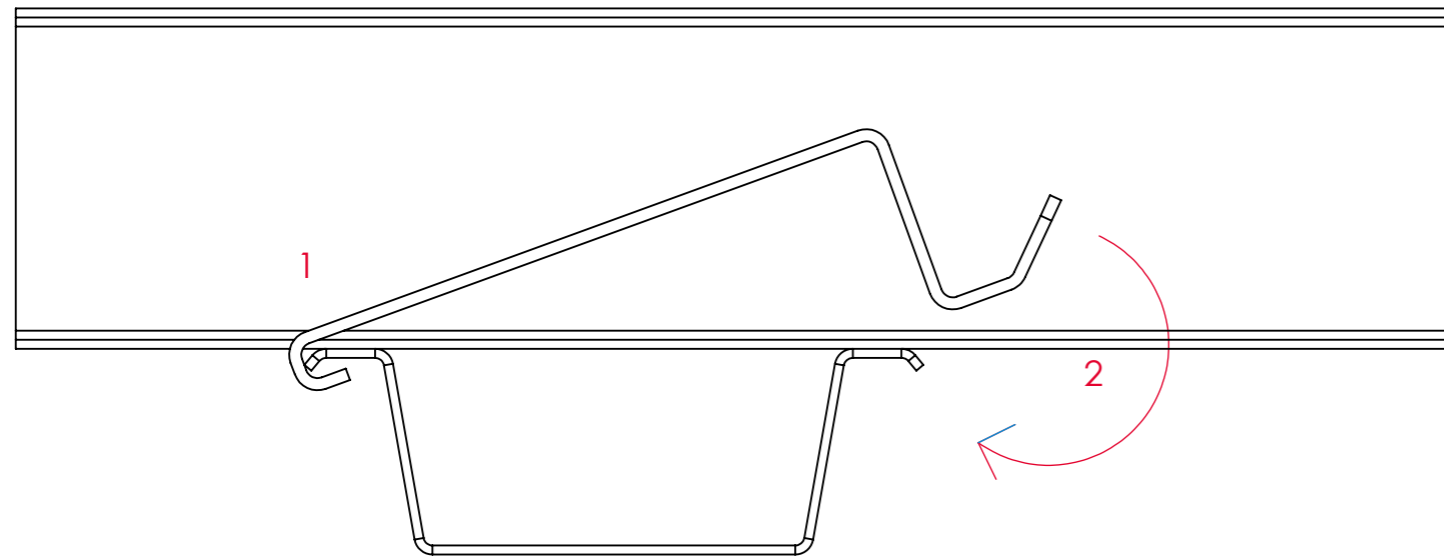
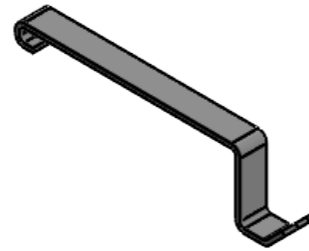


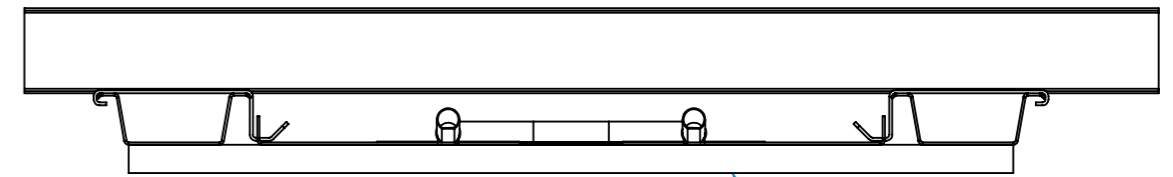
Heat Cloud Installation on MF5 channel:

Parts required for installation:

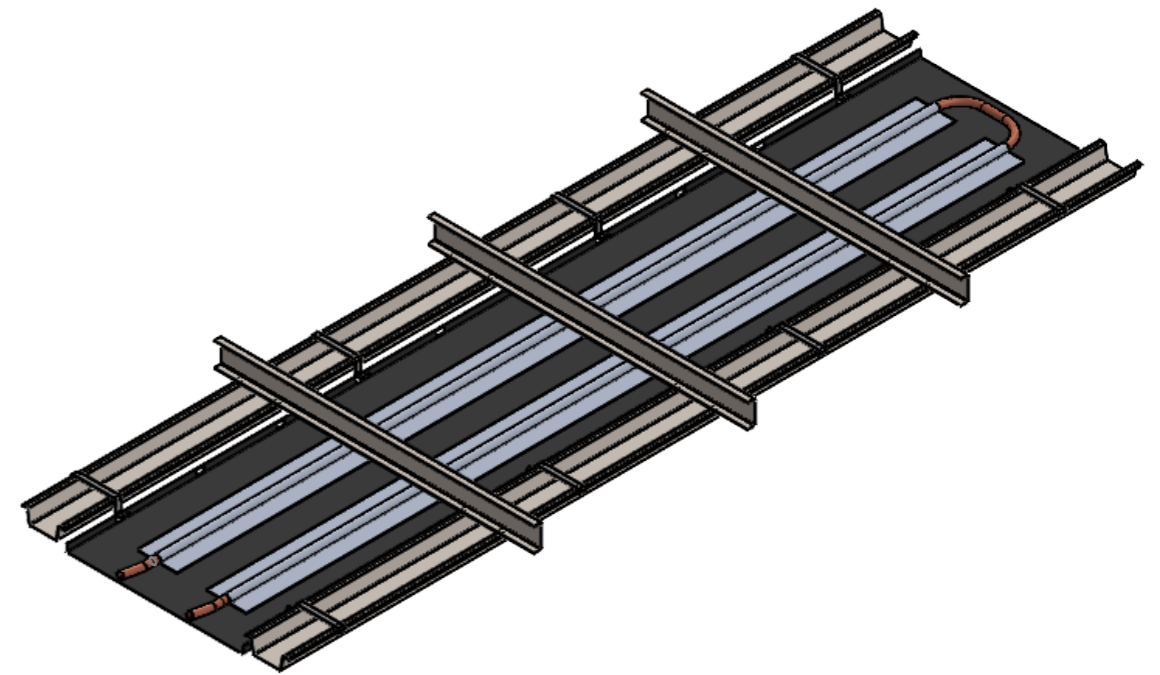
SK5992 - MF5 CLIP  
6+ required depending on panel size



Heat Cloud should hang 9mm lower than MF5 Channel



Plasterboard



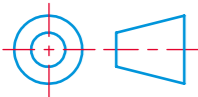
Notes: Panel width as per design

05	--	Joist installation with screws	08/08/2023	AN
ISS	ECN	CHANGE	DATE	DRN CHKD



Main Tel: +44 (0) 116 2490044  
 Main Fax: +44 (0) 116 2490033  
 Website: [www.spc-hvac.co.uk](http://www.spc-hvac.co.uk)  
 Address: SPC House, Evington Valley Road Leicester, LE5 5LU, UK

MATERIAL	SCALE NTS DO NOT SCALE	TITLE HEAT CLOUD INSTALLATION GUIDE - MF5 AND JOISTS
FINISH	TOLERANCE	DRAWING No OD1117
		SHEET 1 OF 2 ISSUE 05



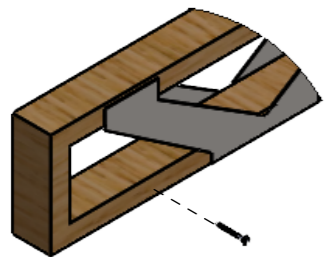
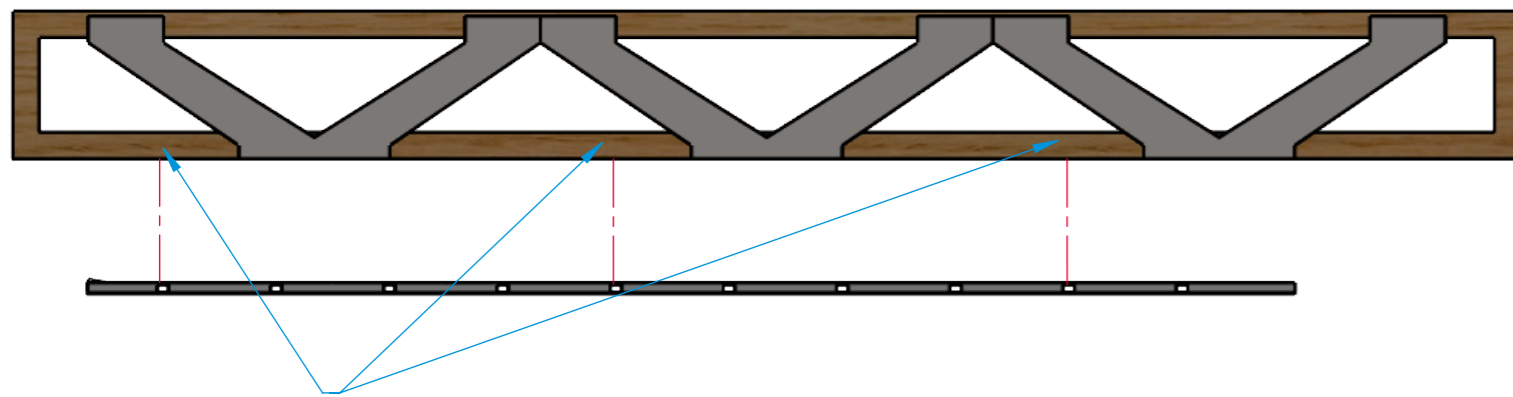
Heat Cloud Installation on Joists - Solid and open Web:

Parts Required:



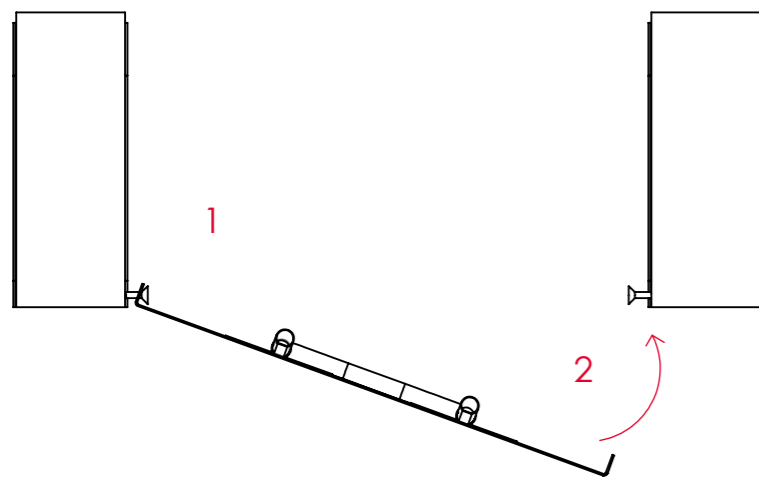
4/6/8 of - 4.0mm wood screws length should not exceed joist width

Step 1:



Position and screw wood screws (let them protrude 10mm-15mm). Screws should be 8mm from the bottom of the joist and pitches to suit the Heat Cloud panel cut outs. If using open web joists do not fix onto metal webbing.

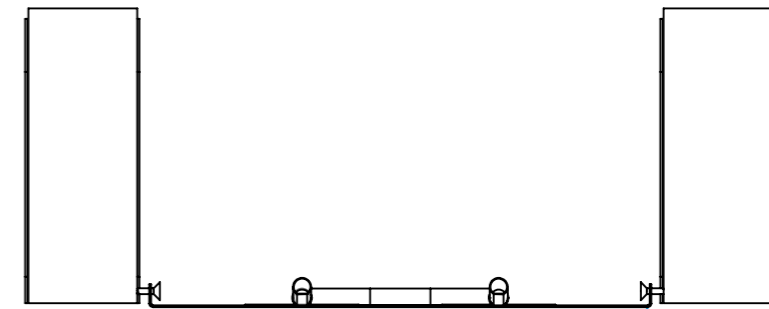
Step 2:



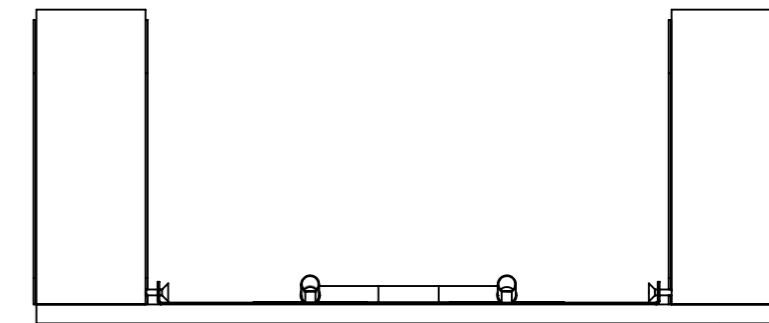
Clip one side of the Heat Cloud panel into the protruding wood screw (1).

Once one side is fitted rotate the panel and insert the other end of the Heat Cloud panel (2). This may require a bit of a wiggle. Screws may be screwed in or out to aid with this.

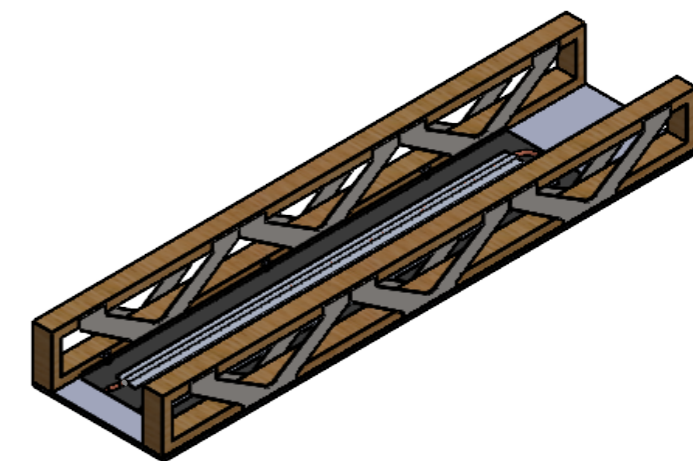
Step 3



Heat Cloud panel should hang below the joist



Plasterboard once fitted should push the hanging panel back up



Note:

Illustration shows open web joists but the same method can be used for standard joists

05	--	Joist installation with screws	08/08/2023	AN	
ISS	ECN	CHANGE	DATE	DRN	CHKD



Main Tel: +44 (0) 116 2490044  
 Main Fax: +44 (0) 116 2490033  
 Website: [www.spc-hvac.co.uk](http://www.spc-hvac.co.uk)  
 Address: SPC House, Evington Valley Road Leicester, LE5 5LU, UK

MATERIAL	SCALE NTS DO NOT SCALE	TITLE HEAT CLOUD INSTALLATION GUIDE - MF5 AND JOISTS
FINISH	TOLERANCE	DRAWING No OD1117
		SHEET 2 OF 2
		ISSUE 05